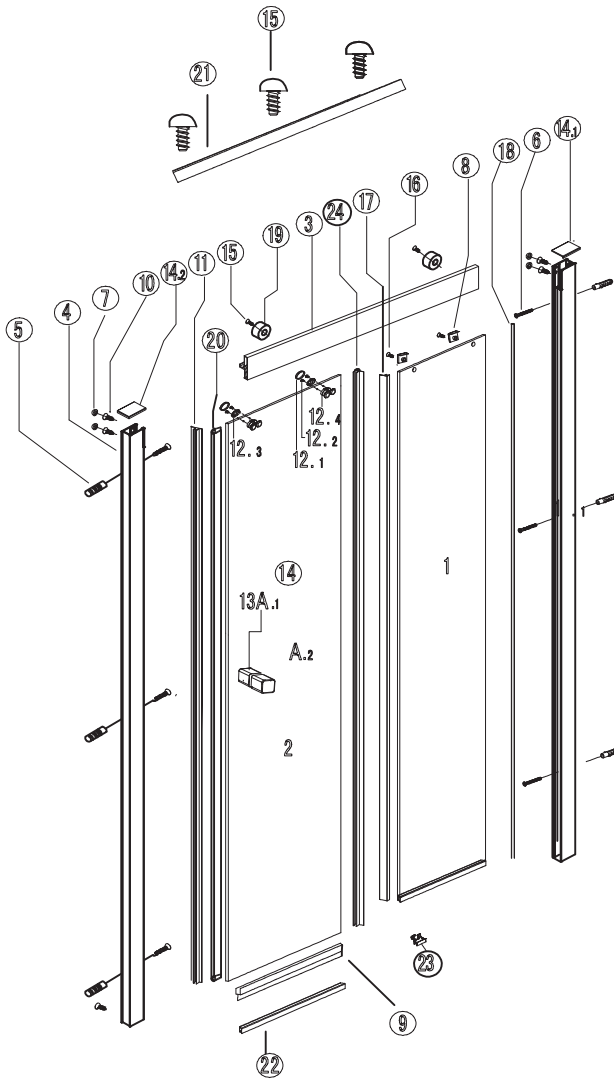
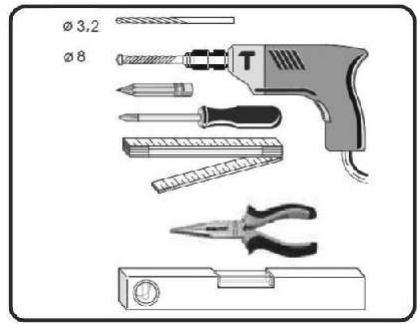
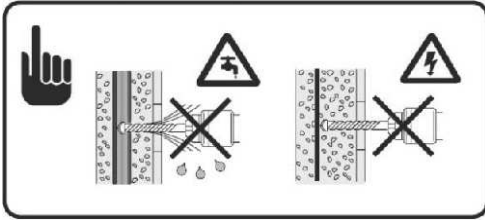


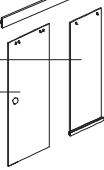

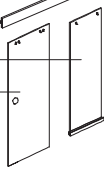





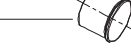
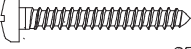



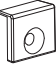
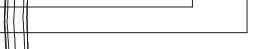




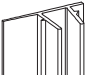






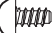





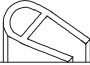
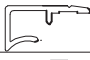


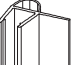


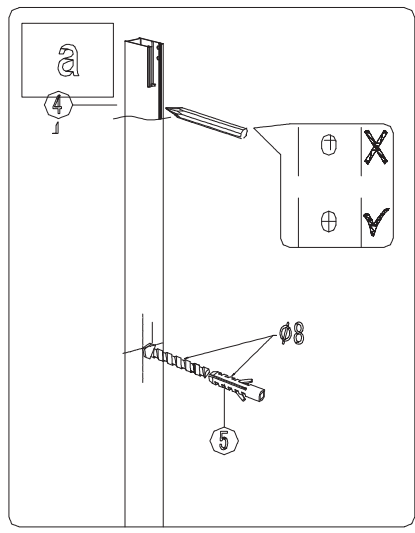
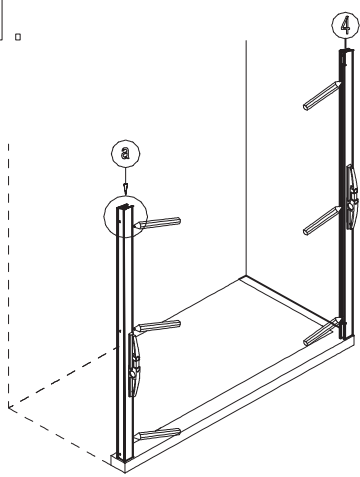


Montazni navod ke sprchovym dverim MOVE D2

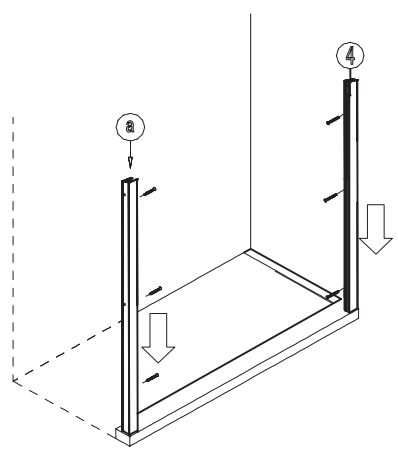


| NO. | Designation | Pieces | NO. | Designation | Pieces |
|------|---|--------|--|---|--------|
| 3 |  | X1 | 13 | A.1  | X2 |
| 1 |  | X1 | | A.2  | X2 |
| 2 |  | X1 | | A.3  | X1 |
| | | X1 | | A.4  | X1 |
| 4 |  | X2 | | B.1  | X1 |
| 5 |  | X6+1 | | B.2  | X1 |
| 6 |  ST4X35 | X6+1 | C.1  | X1 | |
| 7 |  | X4+1 | C.2  | X2 | |
| 8 |  | X2 | C.3  | X2 | |
| 9 |  | X1 | C.4  | X4 | |
| 10 |  ST4X20 | X4+1 | C.5  | X1 | |
| 11 |  | X1 | C.6  | X1 | |
| 12.1 |  M4X12 | X4 | 14.1  | X1 | |
| 12.2 |  | X8 | 14.2  | X1 | |
| 12.3 |  | X4 | 15  ST4X8 | X5+1 | |
| 12.4 |  | X2 | 16  ST4X13 | X2+1 | |
| | | | 17  | X1 | |
| | | | 18  | X1 | |
| | | | 19  | X2 | |
| | | | 20  | X1 | |
| | | | 21  | X1 | |
| | | | 22  | X1 | |
| | | | 23  | X2 | |
| | | | 24  | X1 | |
| | | |  $\phi 8$ | | |
| | | |  $\phi 3.2$ | | |

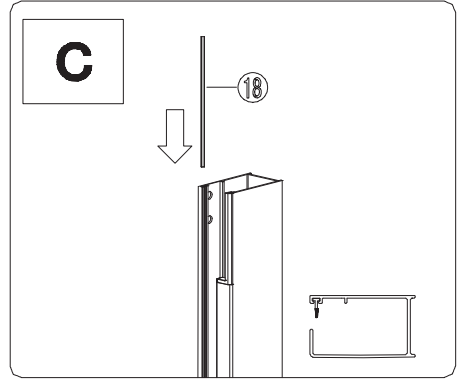
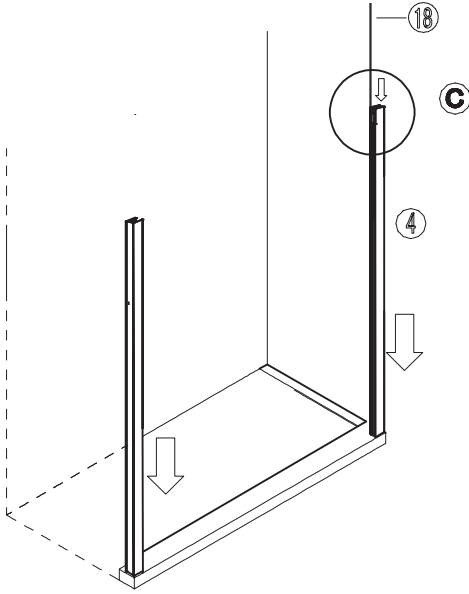
1.



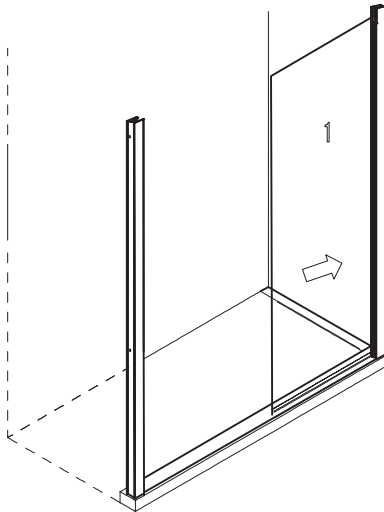
2.

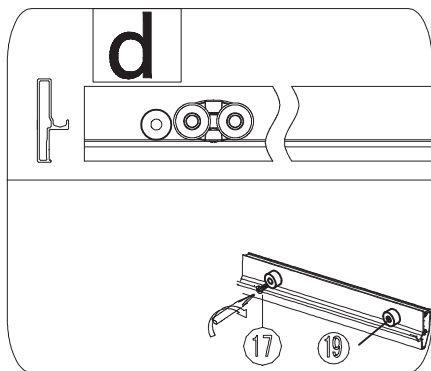
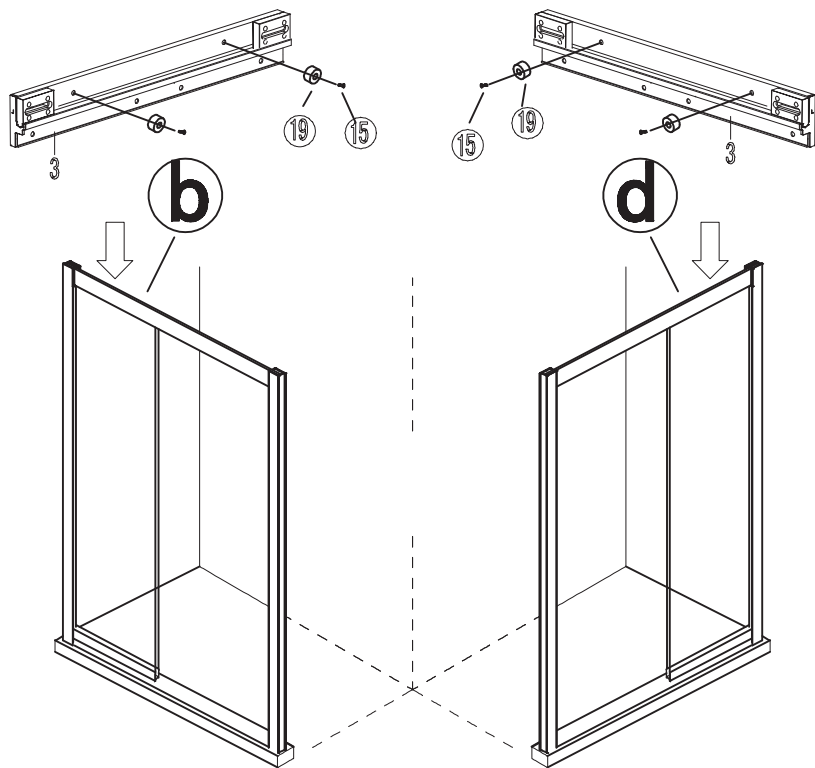


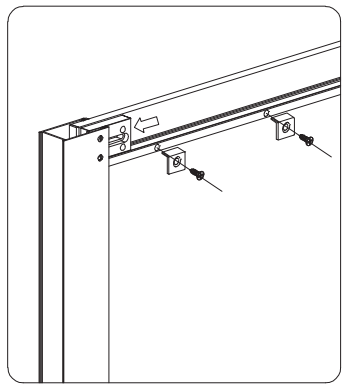
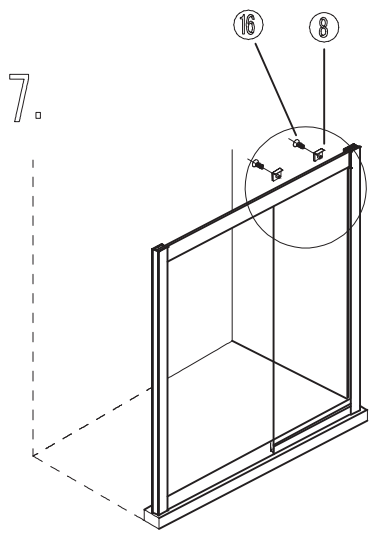
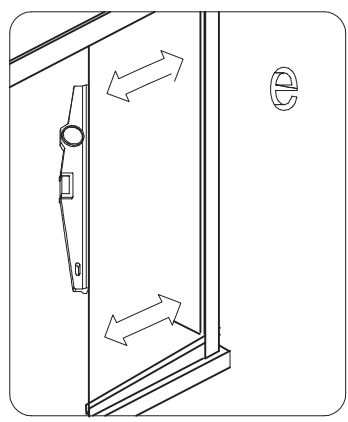
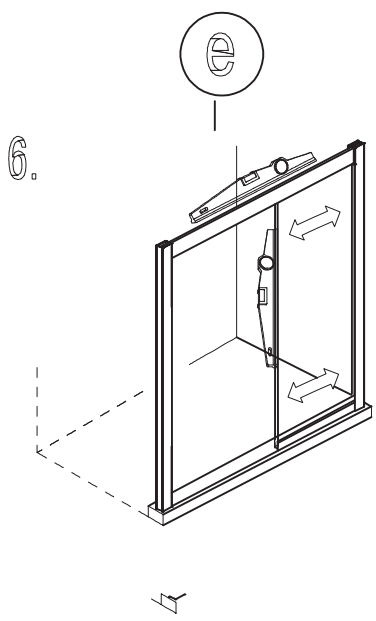
3.



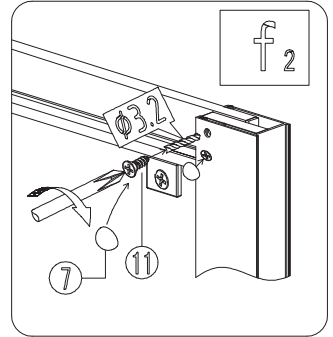
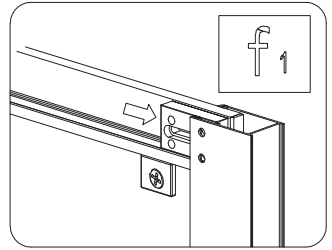
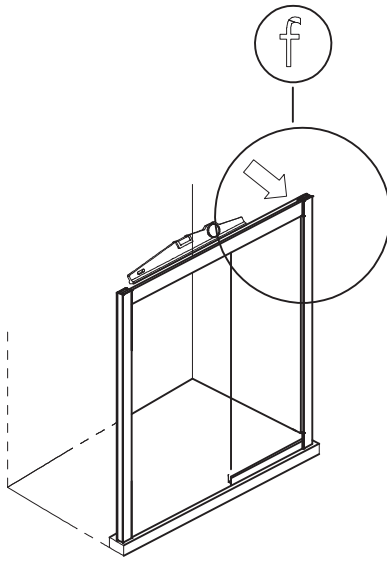
4.



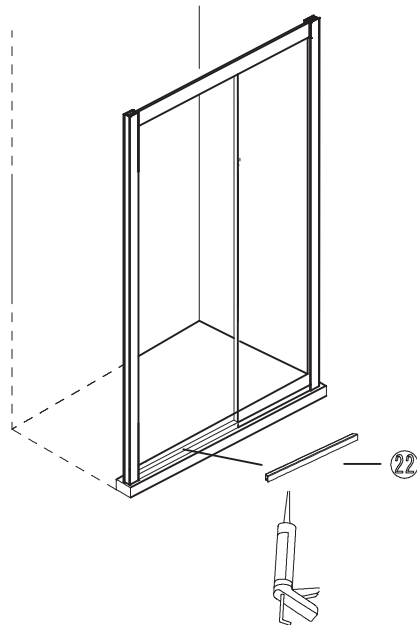




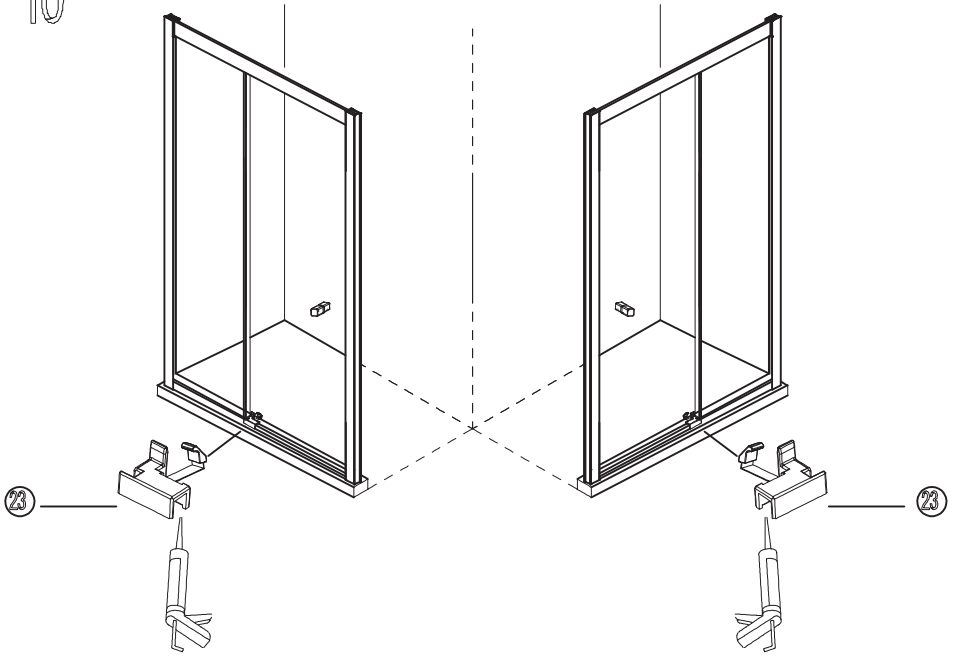
8.



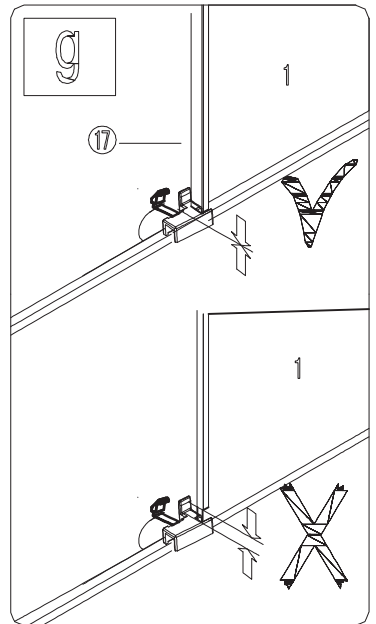
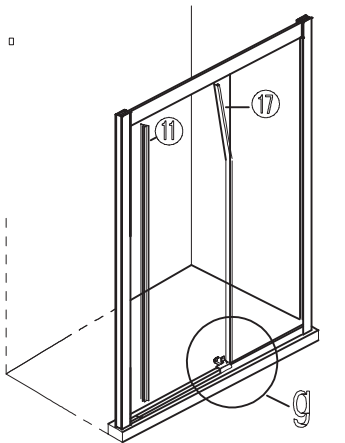
9.



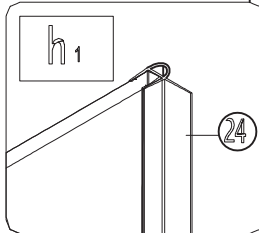
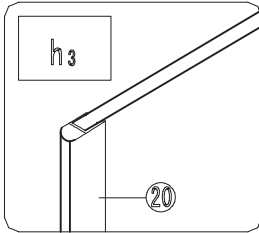
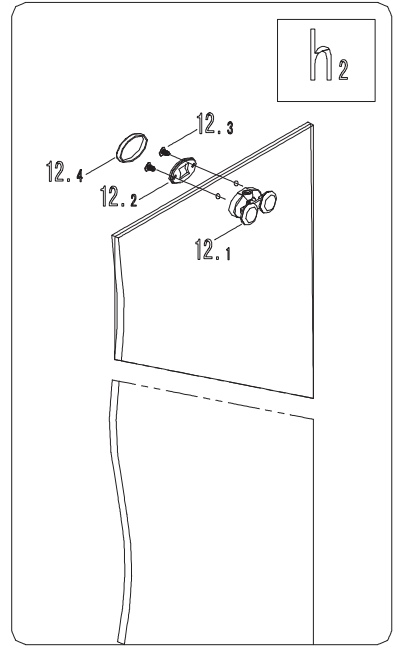
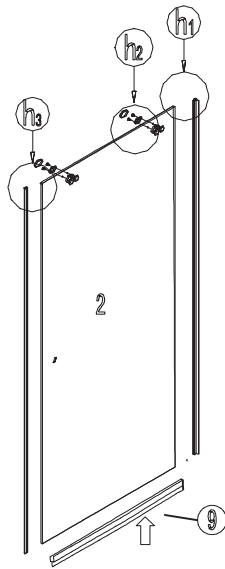
10



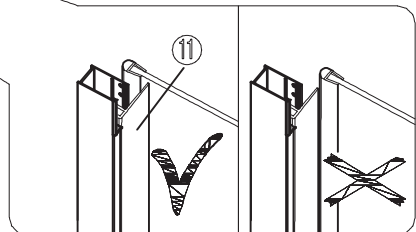
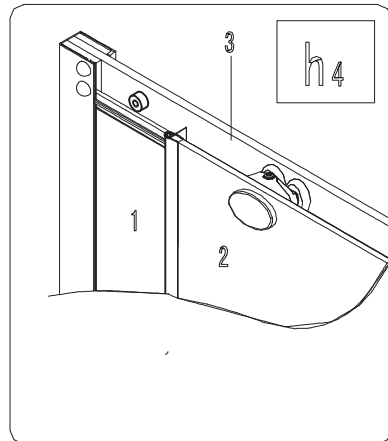
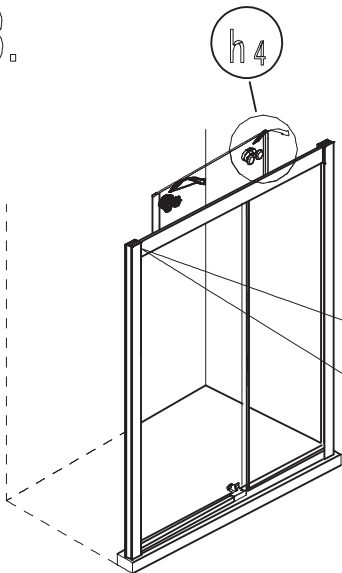
11.



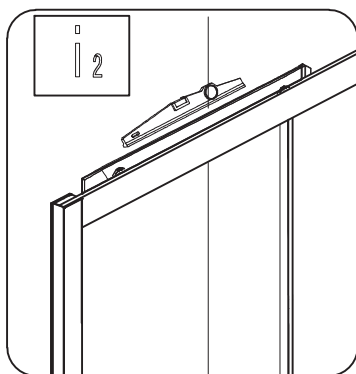
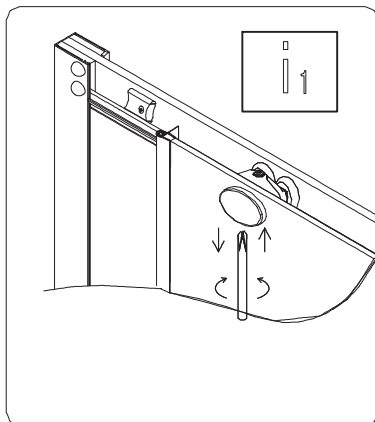
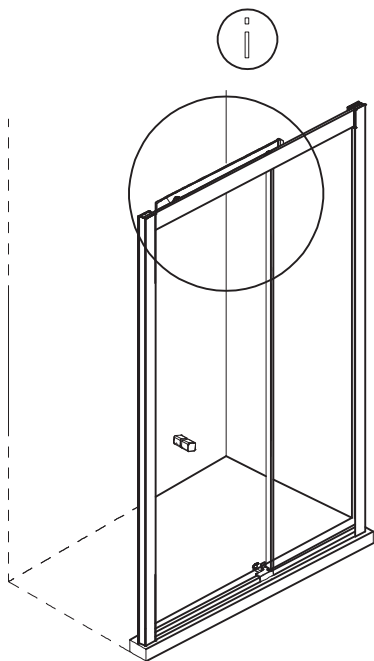
12.



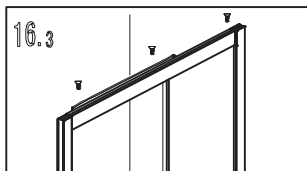
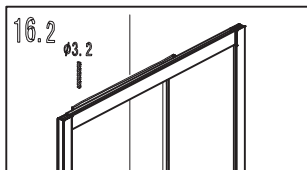
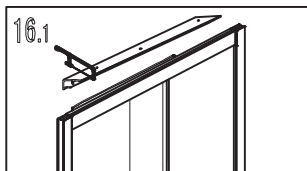
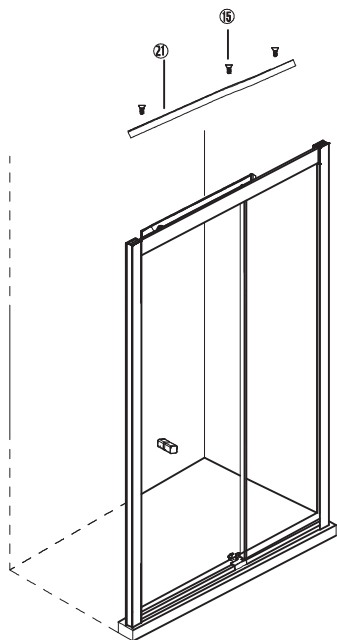
13.



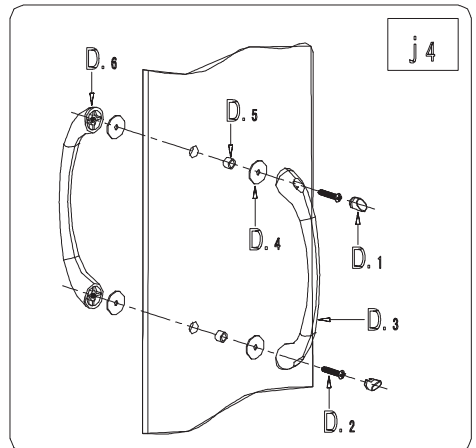
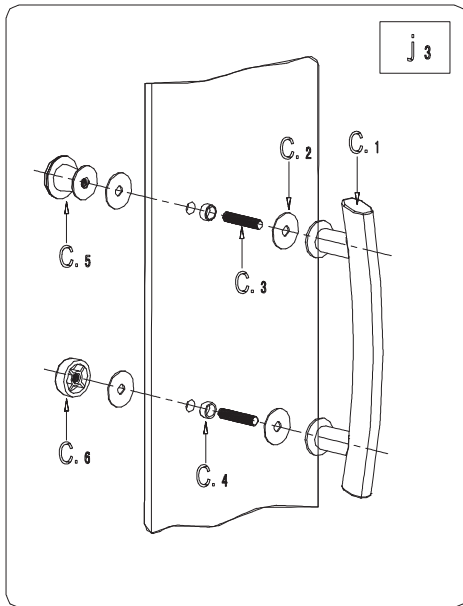
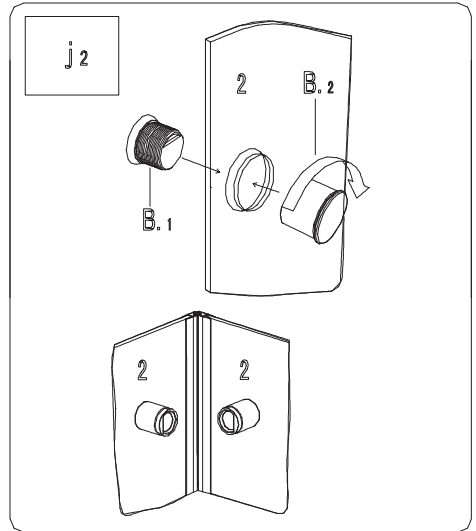
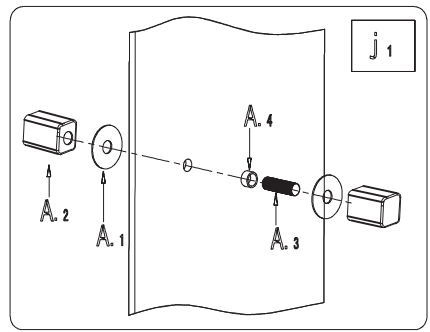
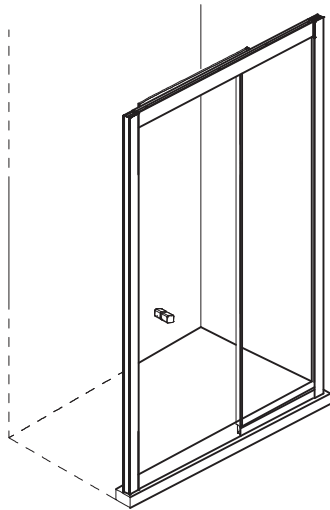
14.



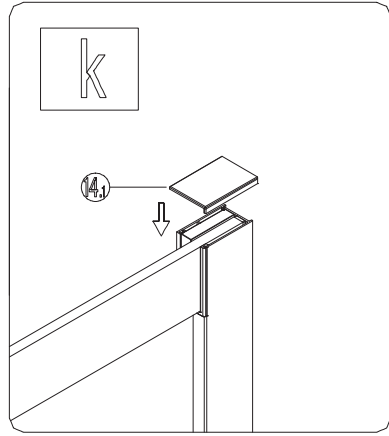
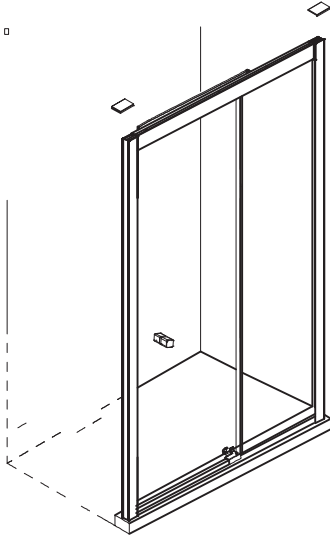
15.



16.



17.



18.

24h 

